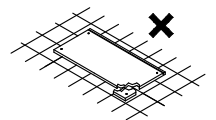
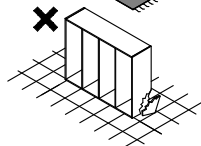
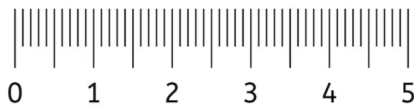
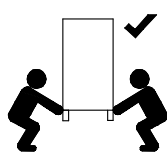
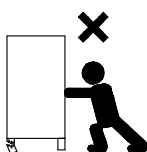
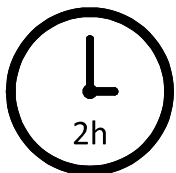
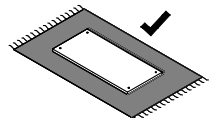
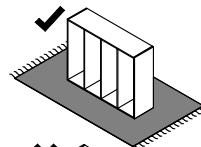
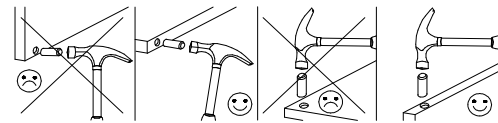
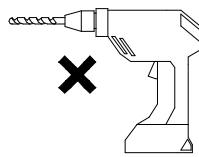
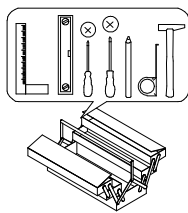
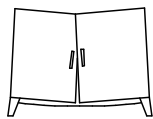
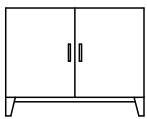
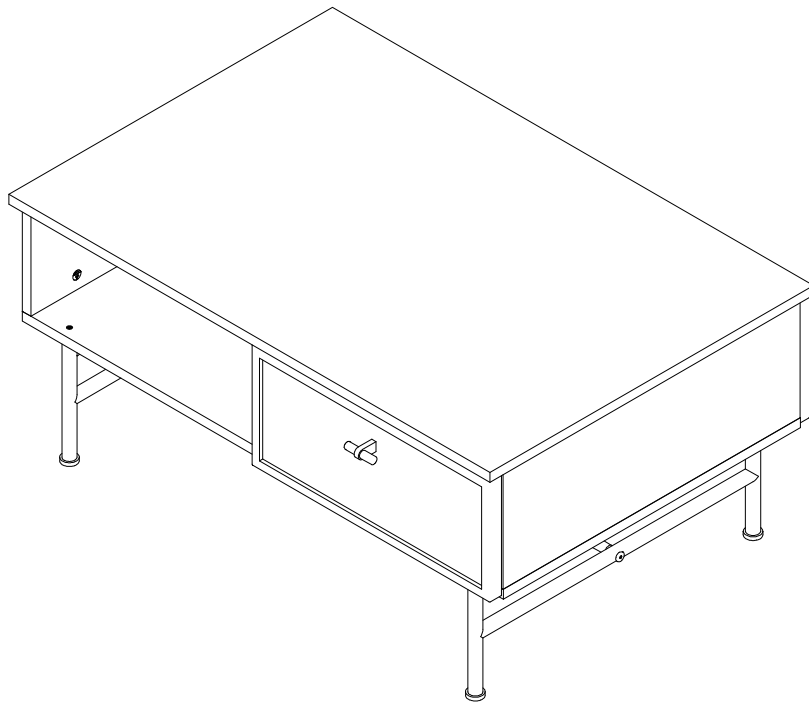
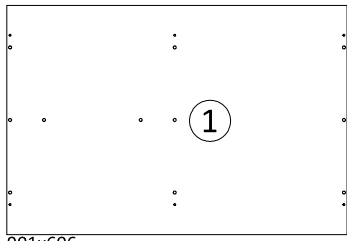


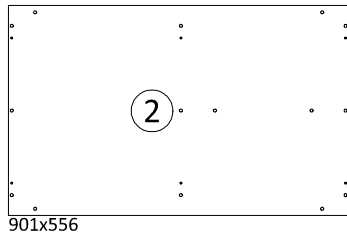
ELORA

R-14

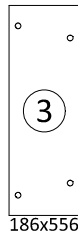




901x606



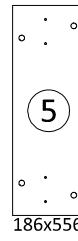
901x556



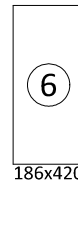
186x556



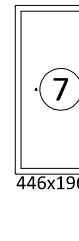
186x556



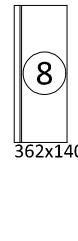
186x556



186x420



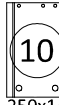
446x196



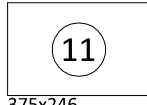
362x140



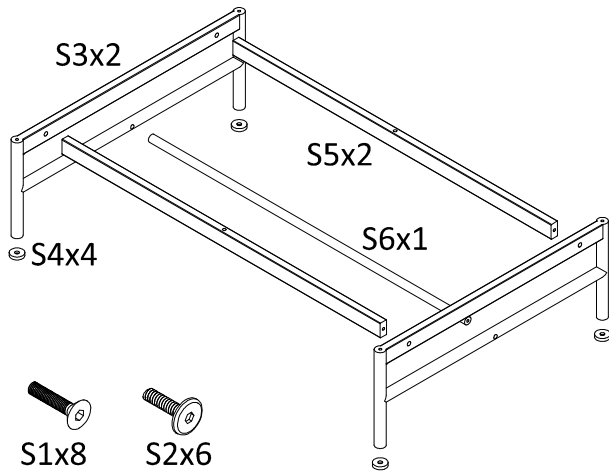
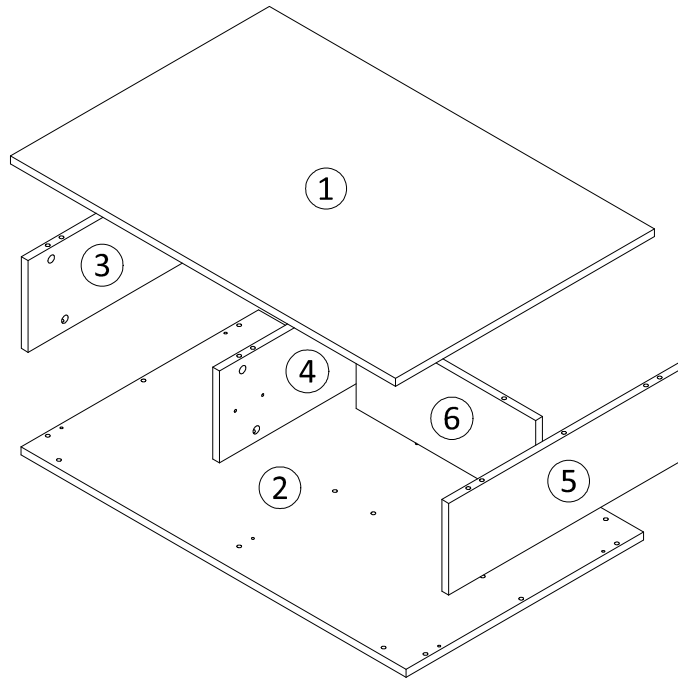
250x140



250x140

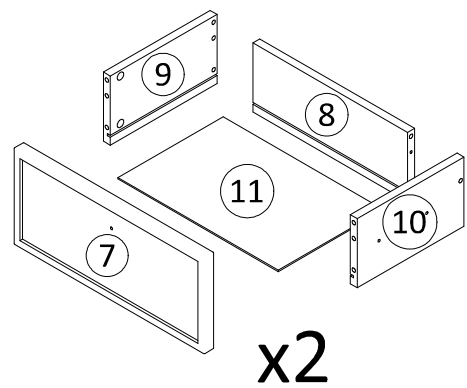


375x246



S1x8

S2x6

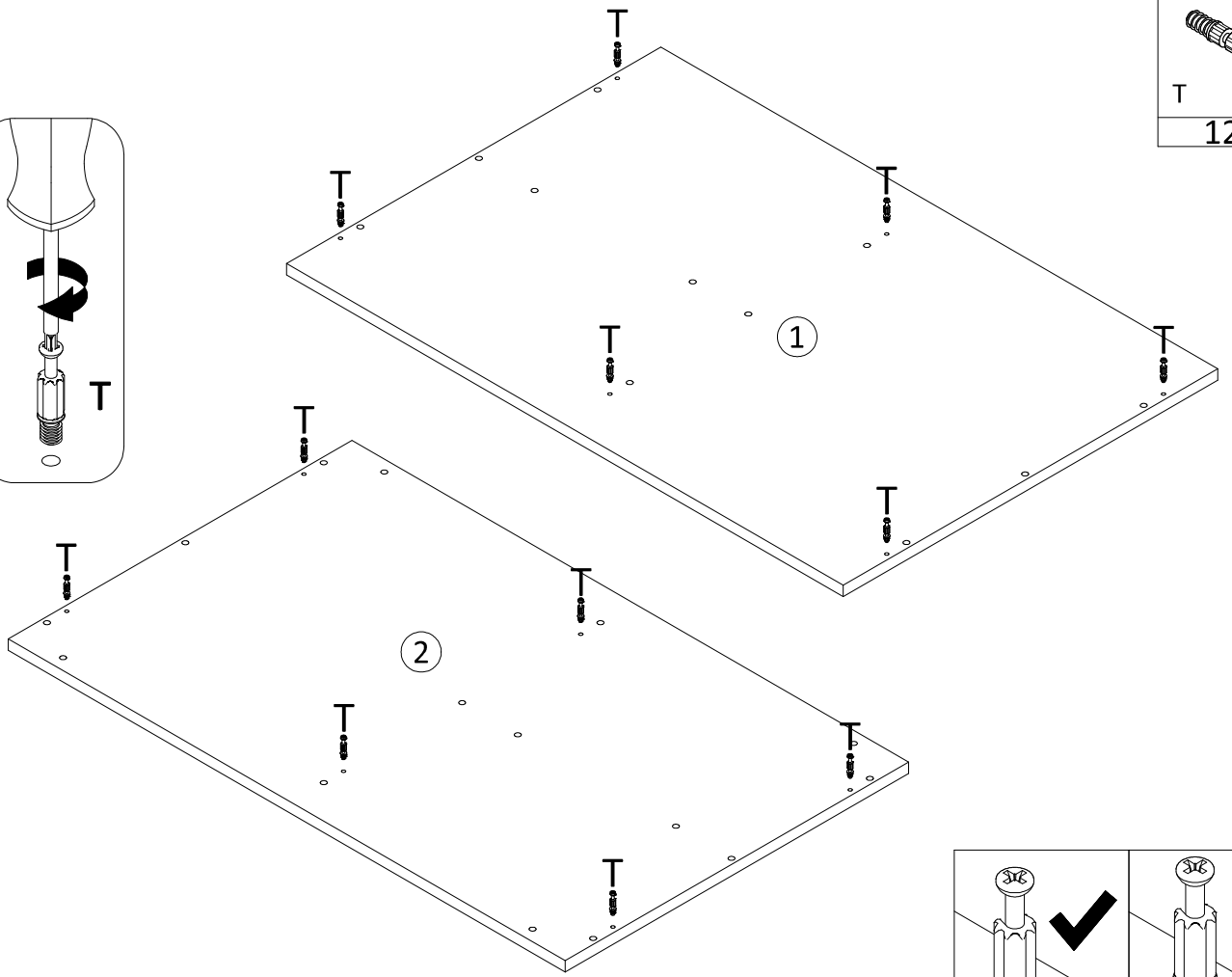
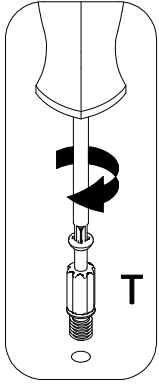


x2

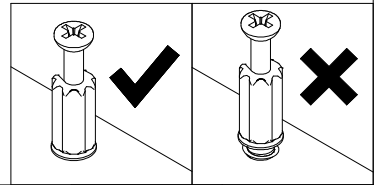
M	T	
20x	20x	2x PK-L-H45-250-B

K	KF	W7	W2	E2	E1	KL	U	ZM	ZK
34x	4x	2x	8x	8x	8x	1x	2x	20x	4x

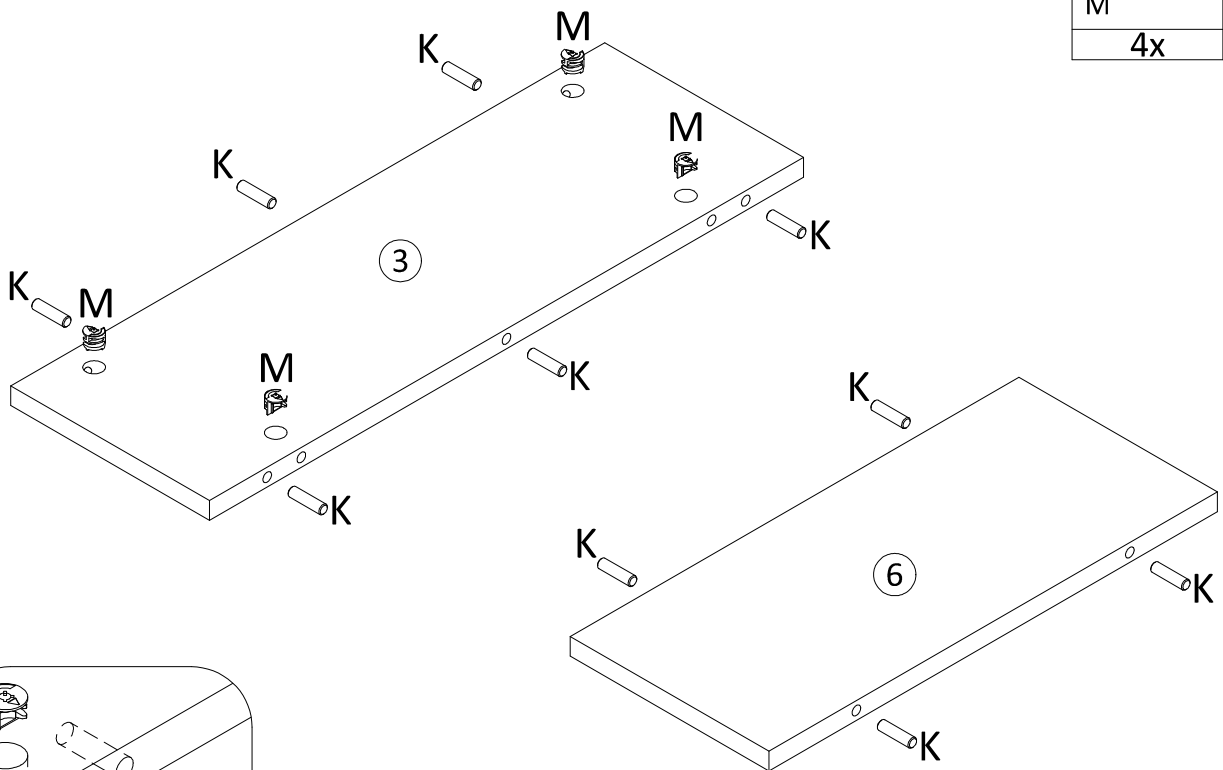
1


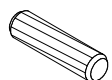


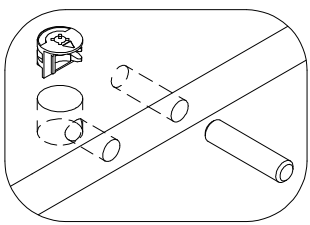
T
12x



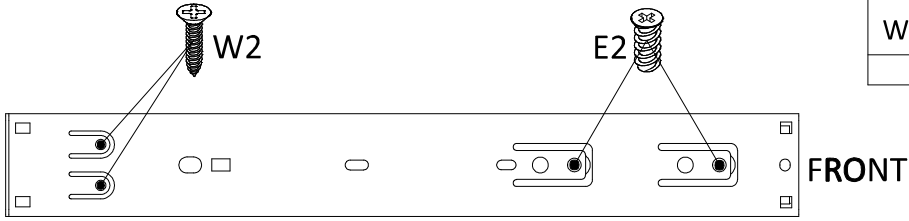
2



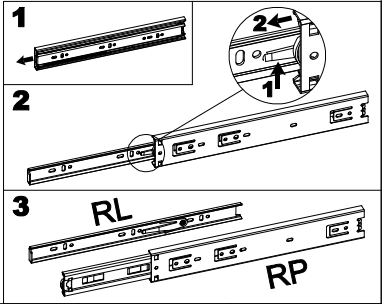
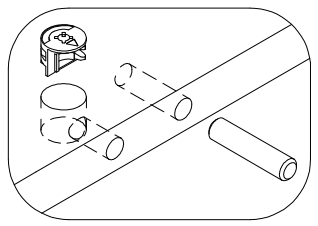
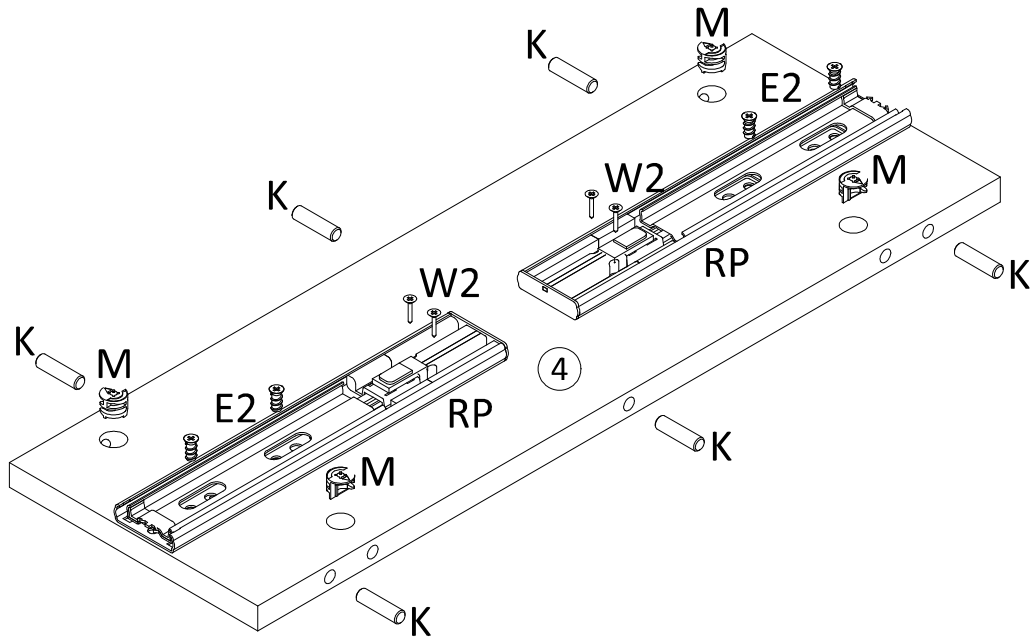
 M	 K
4x	10x



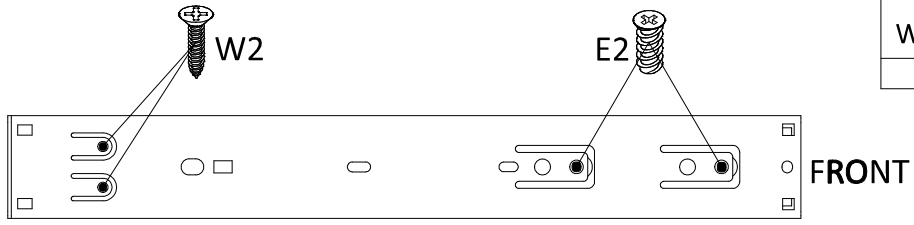
3



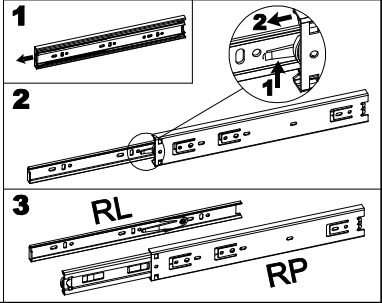
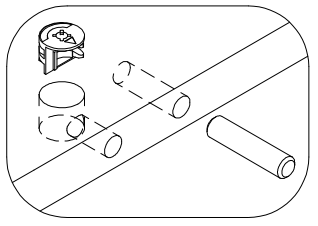
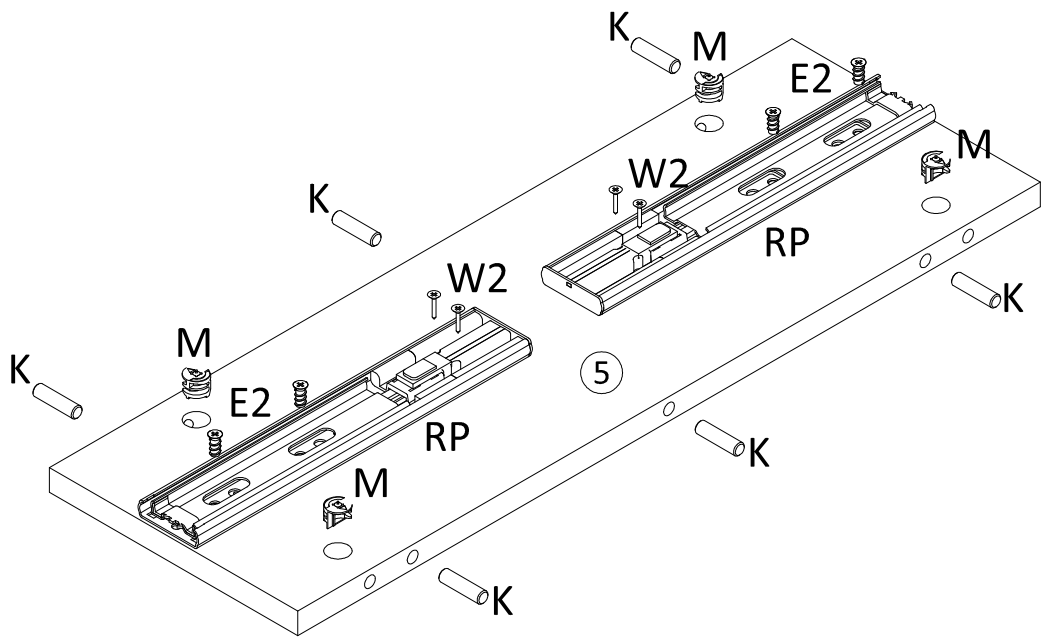
W2	E2	M	K
4x	4x	4x	6x



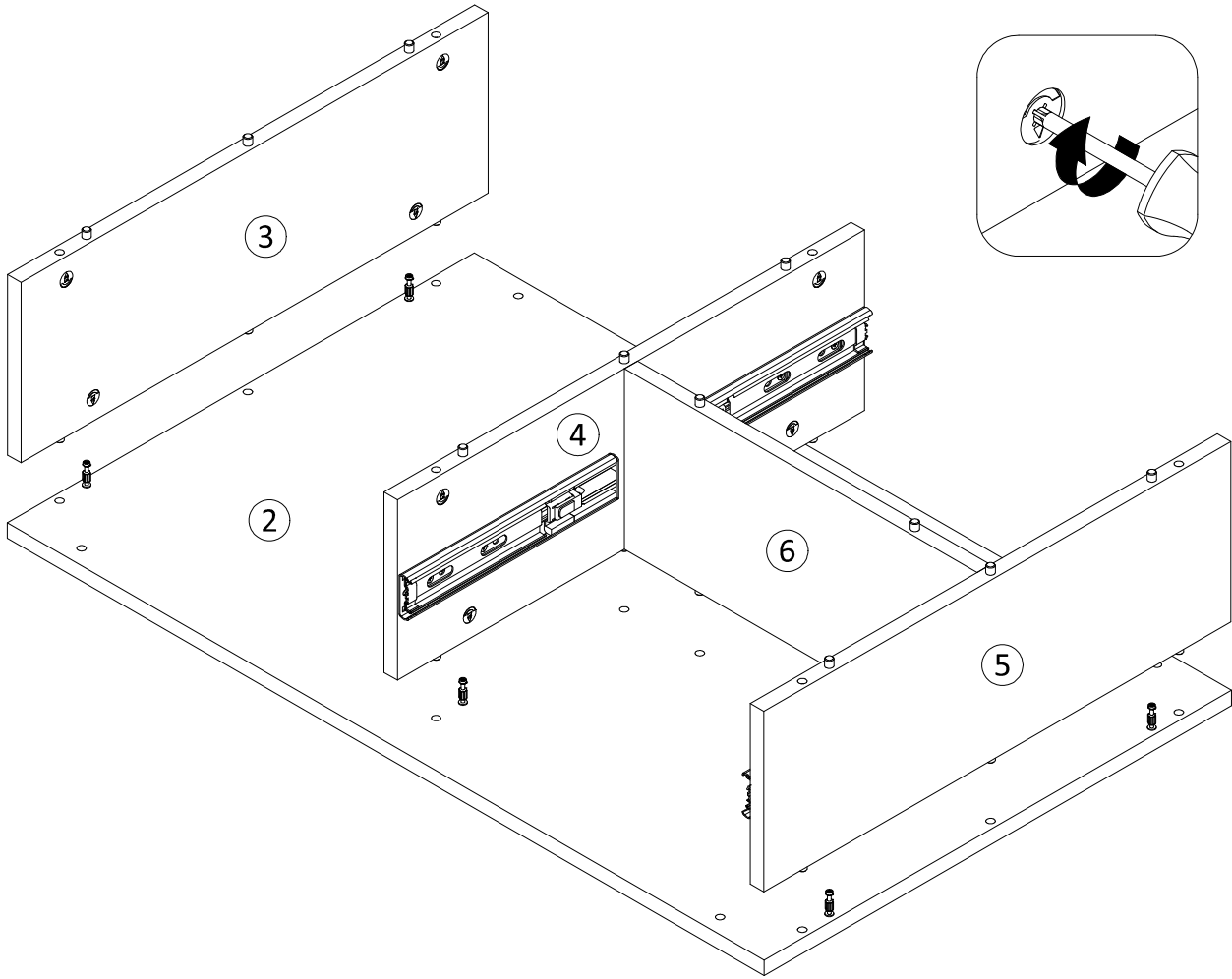
4



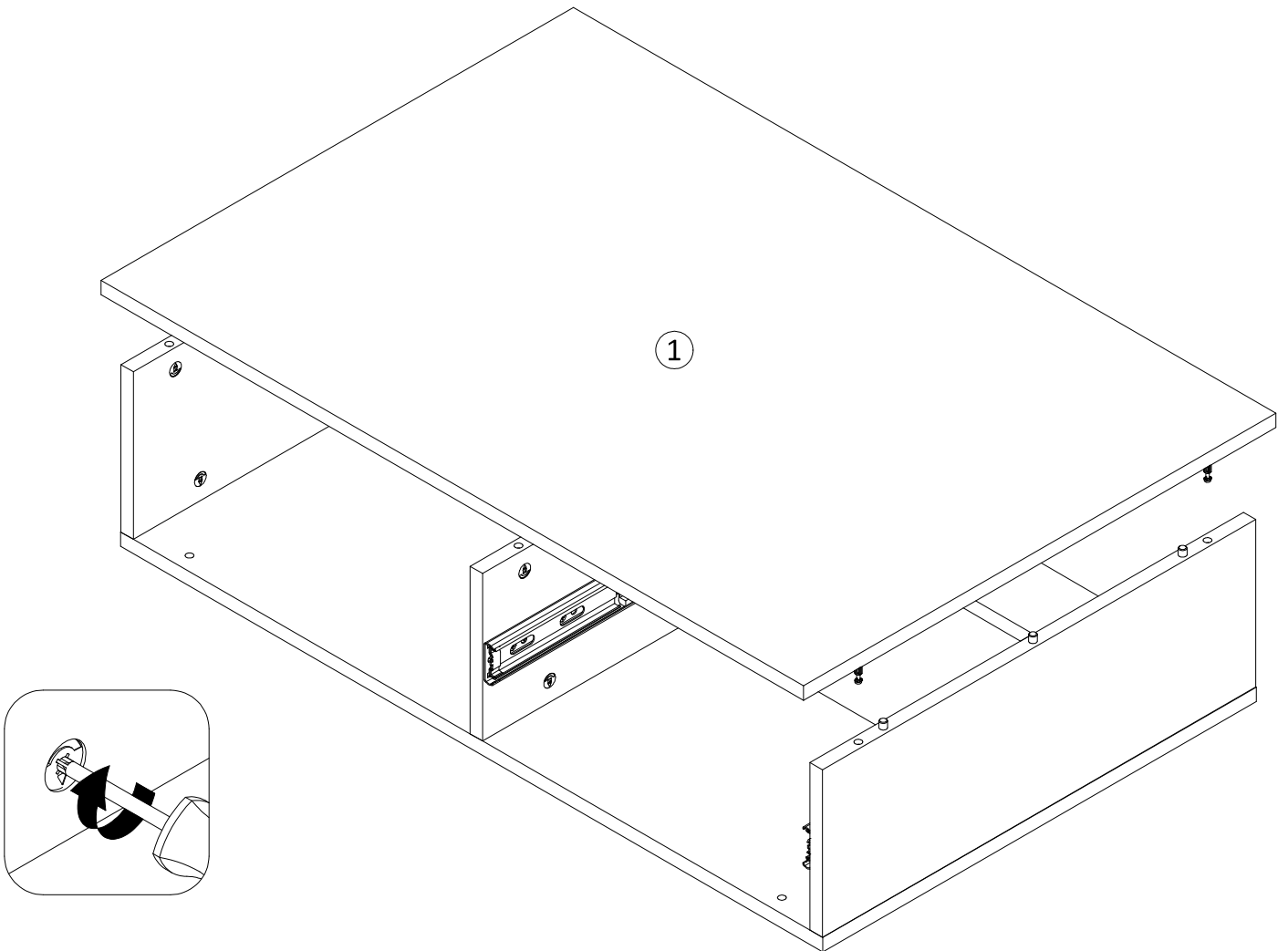
W2	E2	M	K
4x	4x	4x	6x



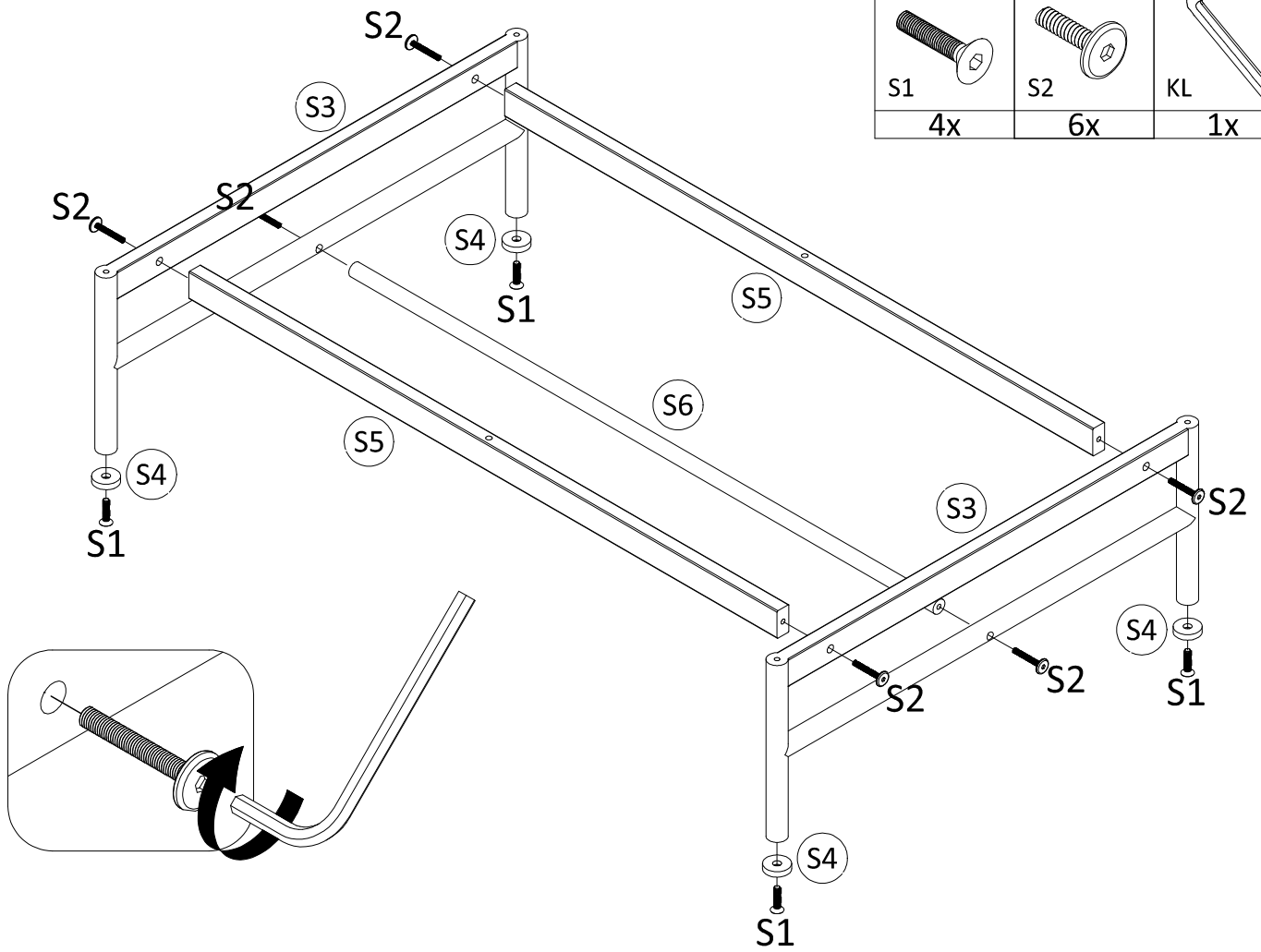
5

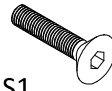
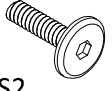
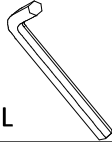


6

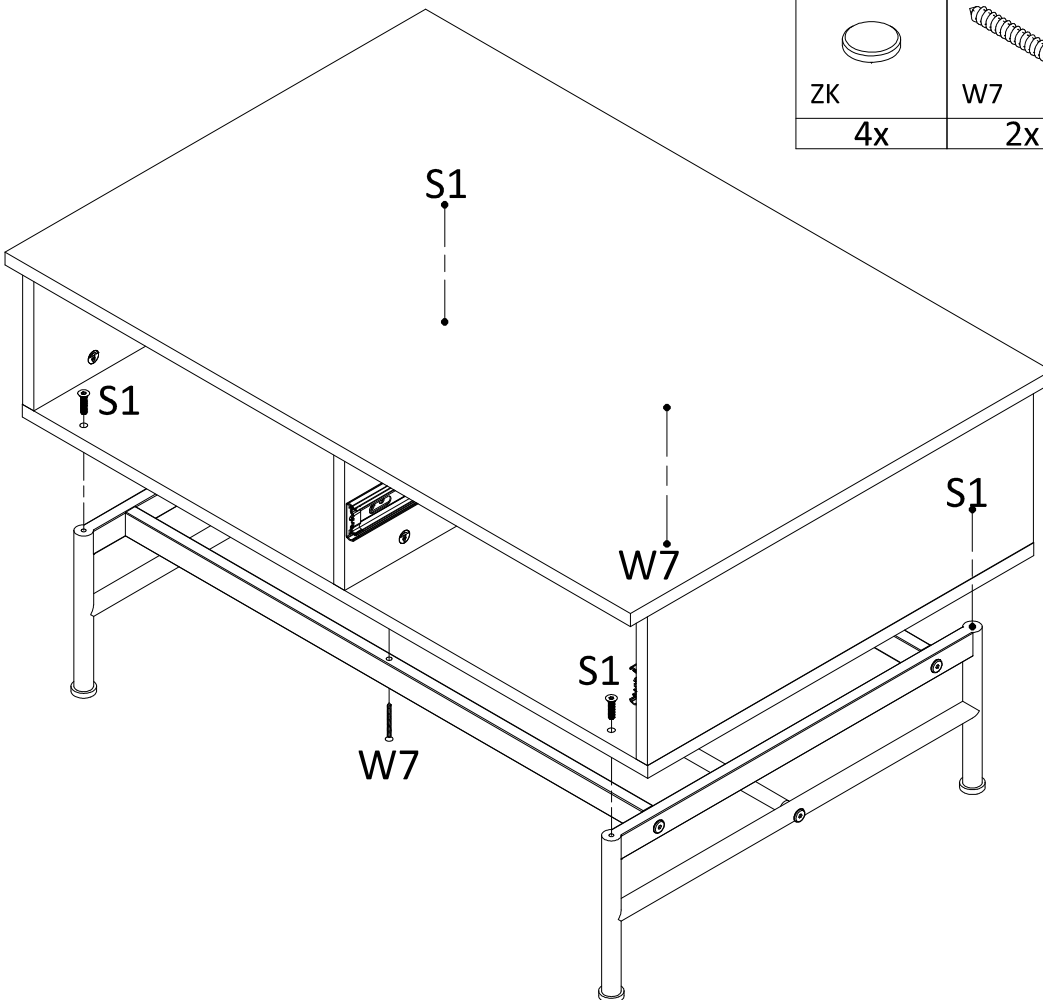



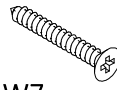
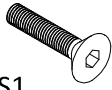
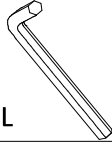
7



		
S1	S2	KL
4x	6x	1x

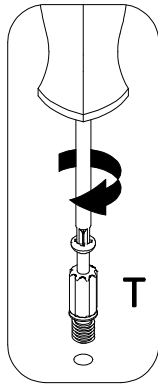
8

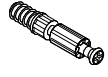
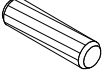


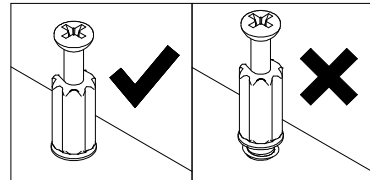
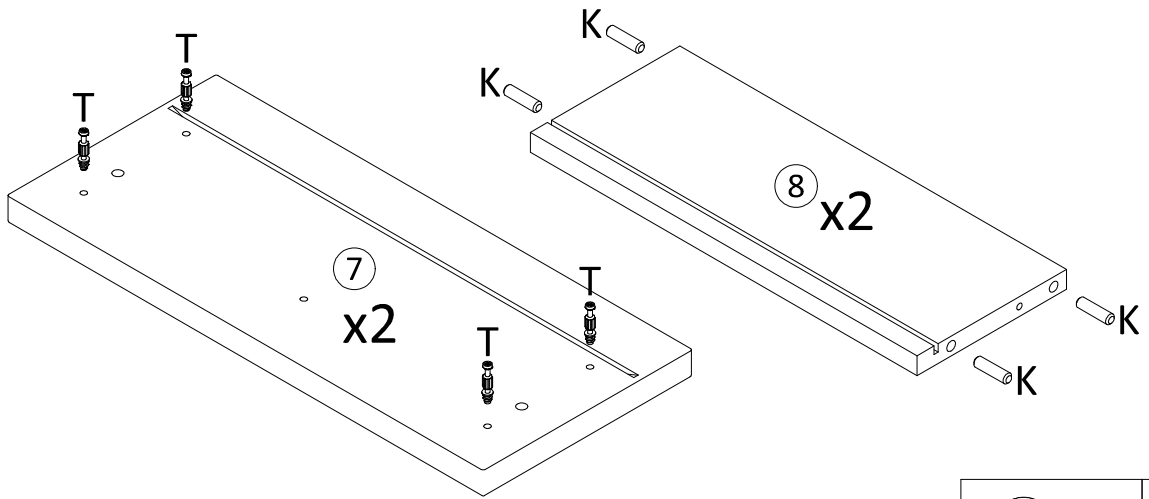
			
ZK	W7	S1	KL
4x	2x	x	1x



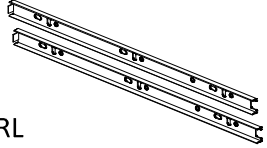


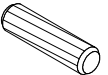
9

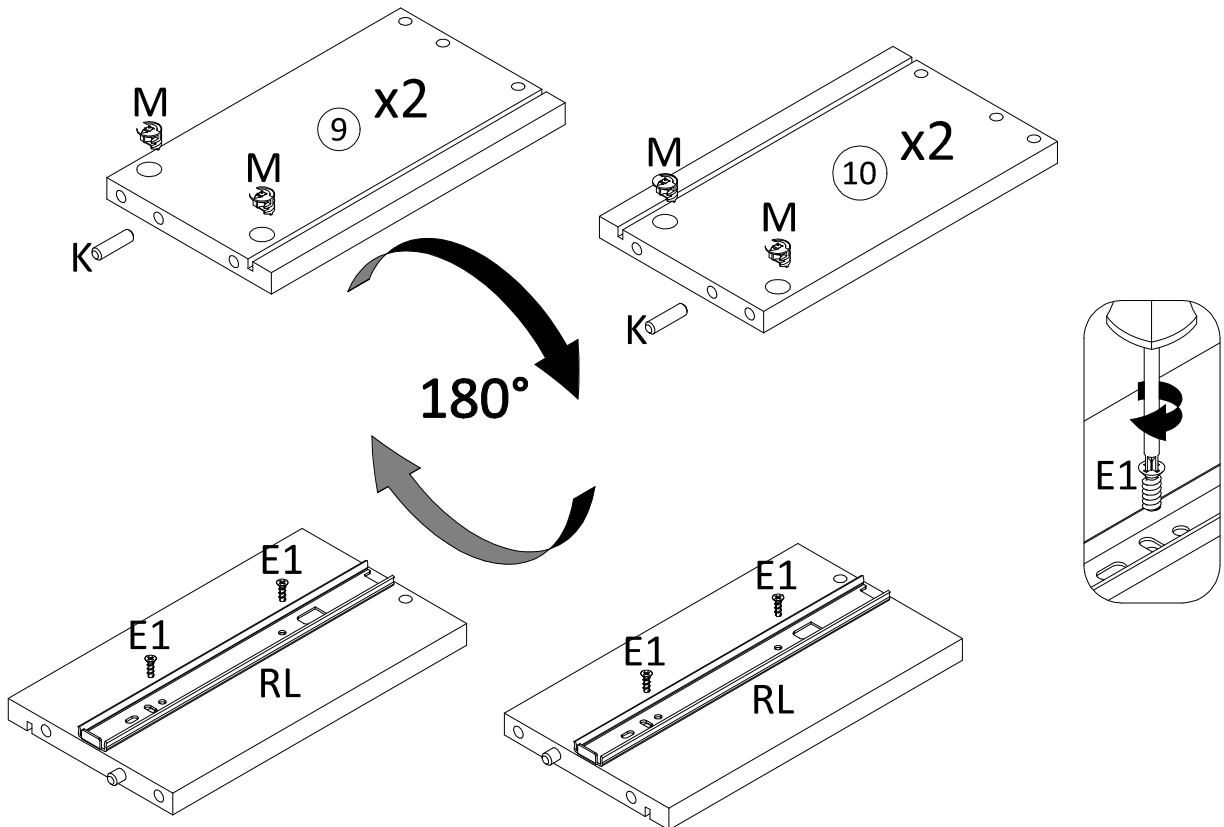


	
T	K
8x	8x

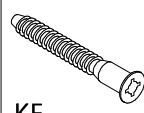
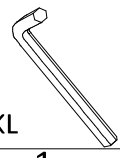


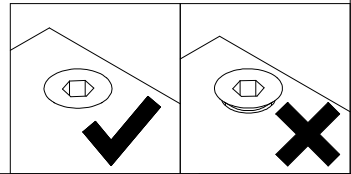
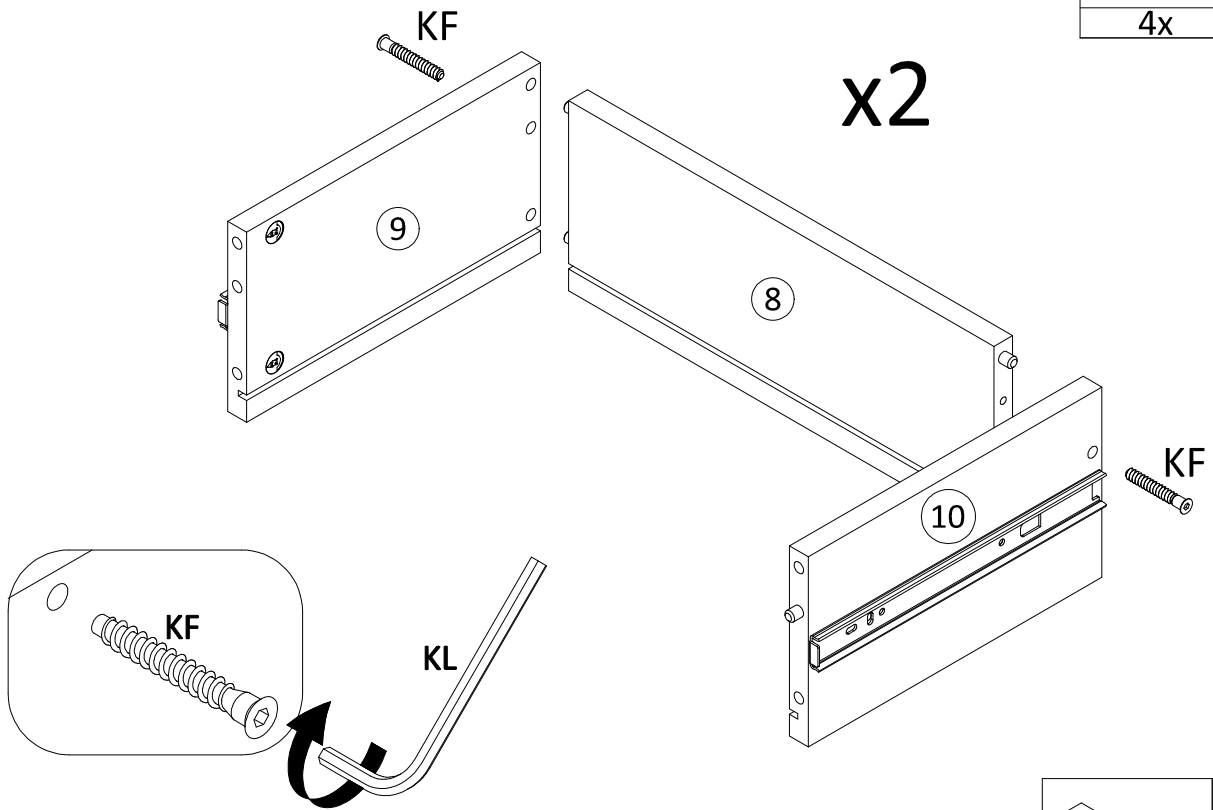
10

			
RL	E1	M	K
2x	8x	8x	4x

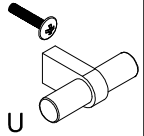


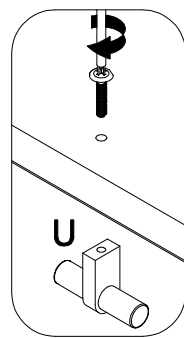
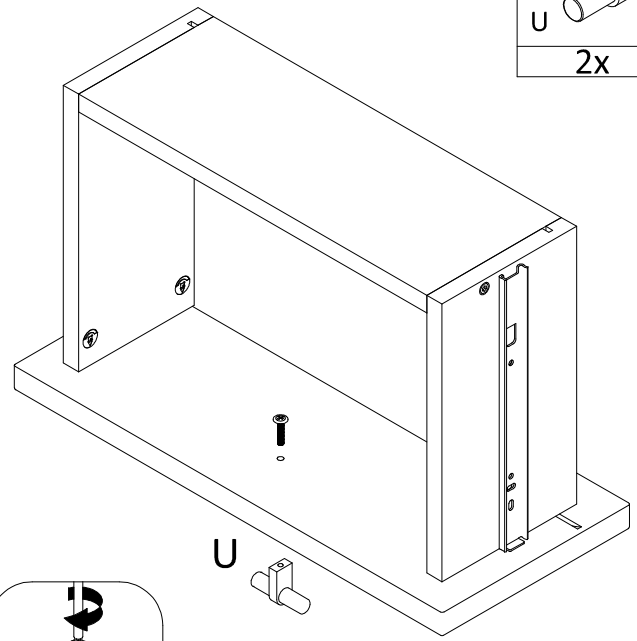
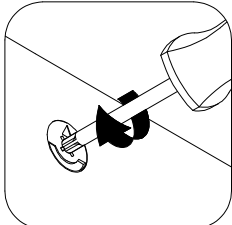
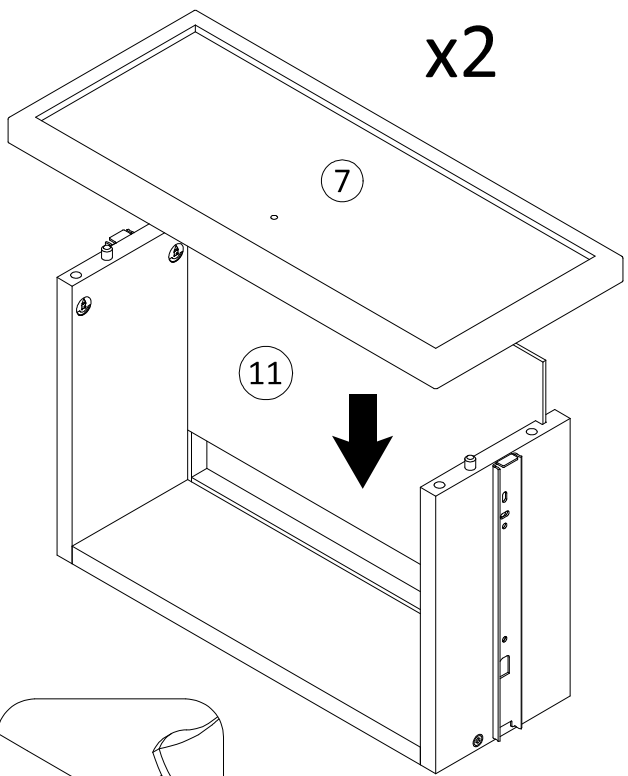
11

	
KF	KL
4x	1x



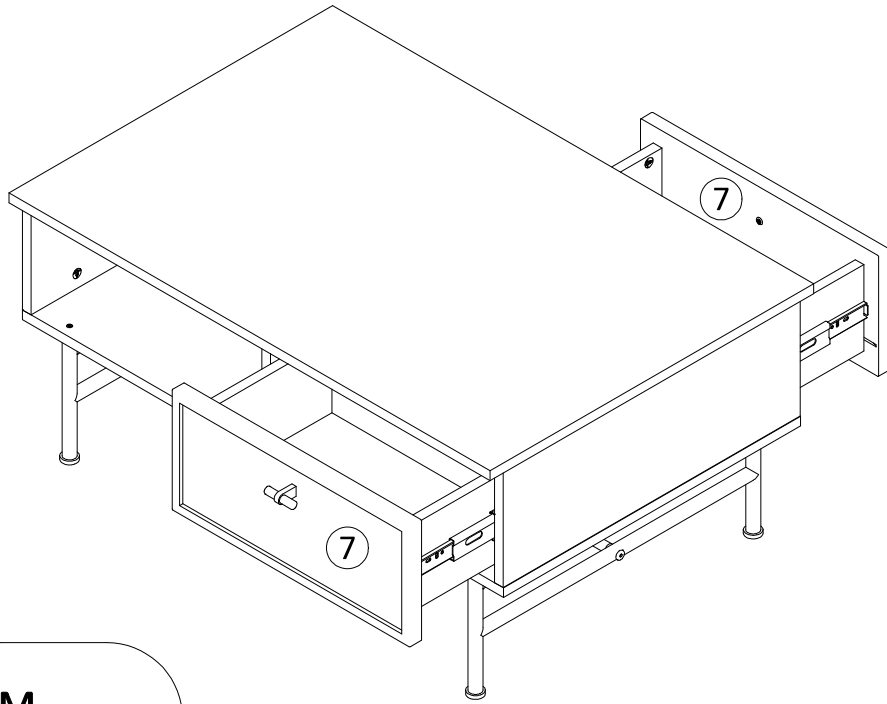
12


U
2x



x2

13



ZM
20x

